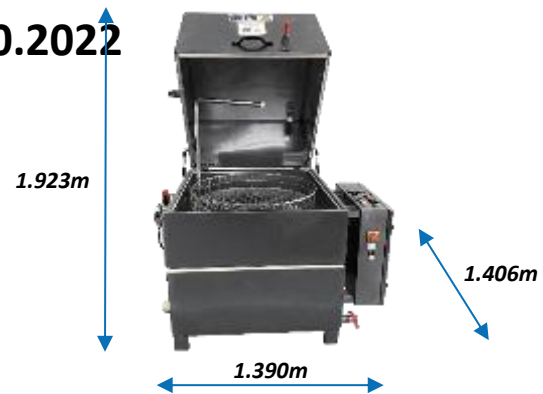


ADS800

Installation Guide – ADS 800, Version 0: 24.10.2022

1 Place the device in its final location:

- On a flat solid floor, required space of 1.4m x 1.5m with a ceiling height of at least 2.0m
- It is necessary to take in to consideration nworking space for operators, space for maintenance, space around control panel according to the current laws and standards in the country.
- Located where noise will not be considered intrusive (e.g. far from desks).



2 Unpackaging and labeling

- Unbox from wooden crate
- Remove from pallet and place on level ground
- Apply safety/contact labels to front and top of lid
- Install button/light labels on control panel



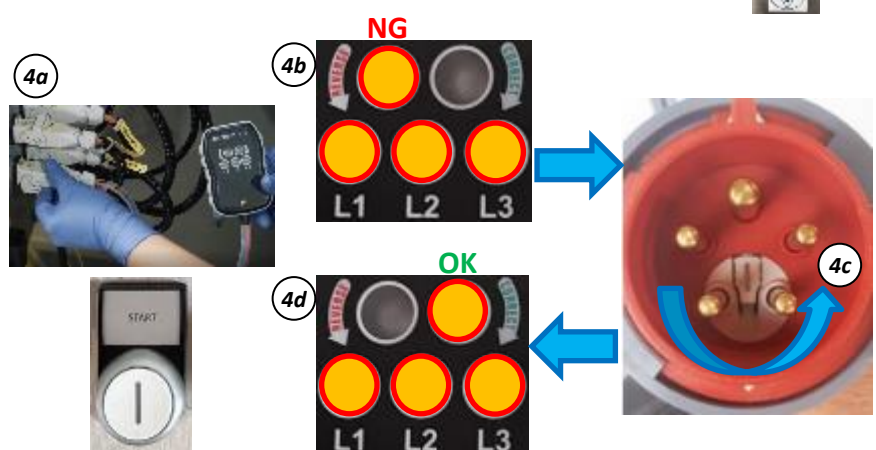
3 Fill water in tank and connect electricity:

- Make sure the drain valve is closed before filling (3a).
- Lift lid and fill with optimum 115ltr water (3b) and maximum of 140ltrs.
- Ad chemistry e.g. 4ltr **Storm 1*** (3c) and defoamer e.g. cap of **FC 101** (3d)
- Plug the device into a 3-phase 415 V 5 pin neutral and earth power socket (3e).



4 Check phase rotation:

- Check phase rotation with „PHASE DETECTION“ item 11081094 (4a) in socket XC2 on control panel.
- Press start button
- If the green light is ON next to the green arrow (4d) = CORRECT, no action is needed.
- If phase rotation is wrong (4b), disconnect electrics and change rotation with screwdriver (4c) and reconnect.



5 Set the LED control unit:

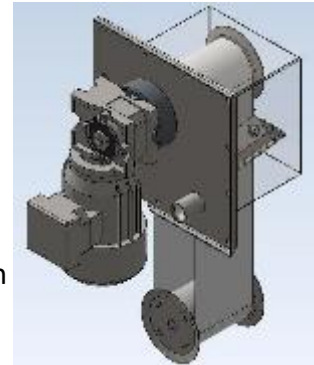
- Set washing time „t_{mr1}“ to 10 min (or 1 – 60 min).
- Set minimum temperature „S_{ion}“ of 50 degrees
- Set maximum temperature „S_{loF}“ of 60 degrees.



* 4ltrs of „Storm 1“ OR 4kg of „Power Clean“ OR 5ltrs of „Super Bee LFG 300“

6 Installing Oil skimmer (optional):

- Remove side plate on left of machine removing 12 nuts/washers (10 mm socket/spanner needed)
- Insert skimmer and replace 12 x nuts/washers.
- Fit the skimmer belt and weight (belt needs to be threaded through the centre of the skimmer)
- Fit cover over skimmer inside machine by sliding the bottom corners in to the groove and securing with 2 x 8mm nuts/washers
- Feed quicker connector and cable through the side of the machine along the channel and plug in to XC4 connector on control panel.
- Switch power back on
- Test skimmer operation by turning the skimmer key on the control panel. Turn off once it has been seen running.
- Customer can use it as frequently as needed to skim oil from surface of the solution. Needs to be drained into a container at the side of the machine and drain valve needs to be open.



7 Customer training:

- Show customer how to operate/use the machine.
- Show customer how the lid safety system works.
- Show customer how to program Control unit.
- Explain to the customer how to use chemistry.
- Explain to the customer how to use defoamer.
- Explain to customers spares packs.
- Show the customer where the manual is.
- Explain to the customer how the QR code on the machine works.
- Obtain customer signature for installation
- Clean working area of any spills

You can find this and other VIDEO guides on landing page:



Tools needed:

- Safety glasses and gloves
- Phase detector
- Claw hammer (for wooden box opening)
- 8 mm an 10 mm socket of Spanner (for Skimmer)

